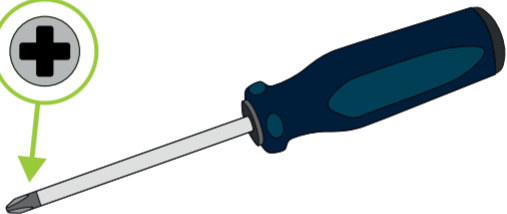
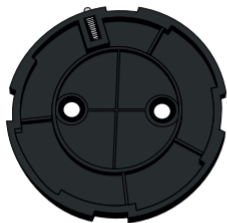




Danapad V3







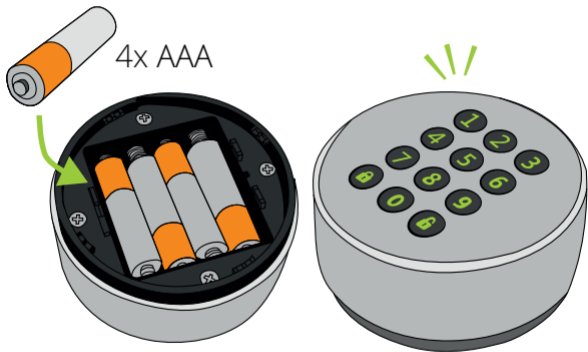
2x



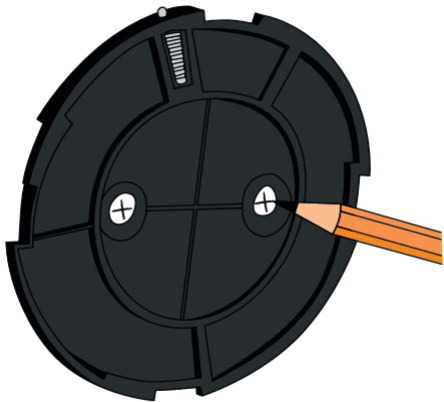
2x

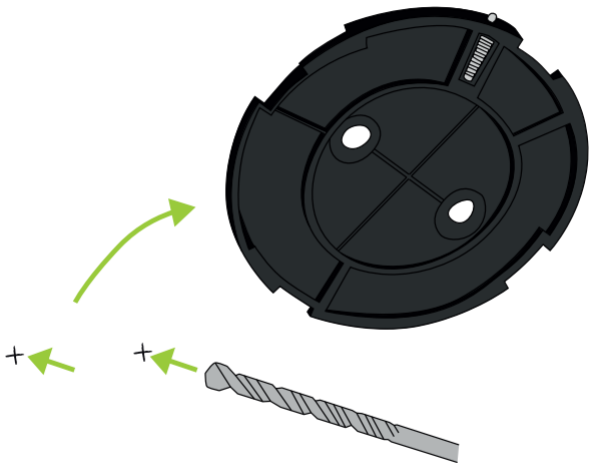


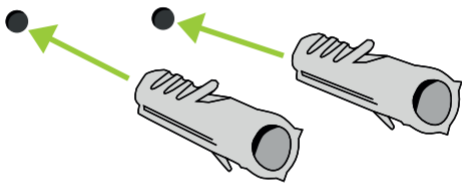


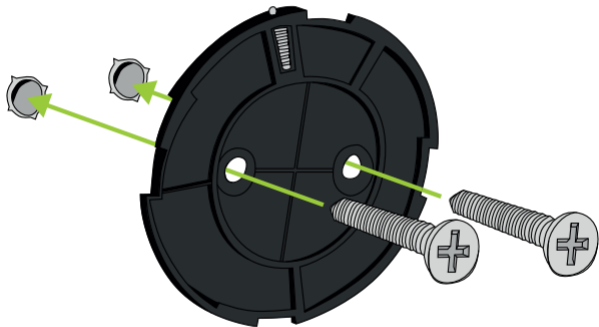


















The following instructions are in english. Localized versions can be found with the QR-code below.



guide.danalock.com

Add the Danapad in the Danalock App

Open the Danalock App and add the Danapad by selecting "Add device" in the menu tab. When the Danapad has been enrolled you can pair it with your Danalock.

Go to: **Menu > Accessory devices > Danapad > Pairing**

and select the lock you want to control with the Danapad.



Set up pin codes for your Danapad

Go to: **Menu > Accessory devices > Danapad > Pin codes**
and choose to add a new pin code.



Controlling the Danapad

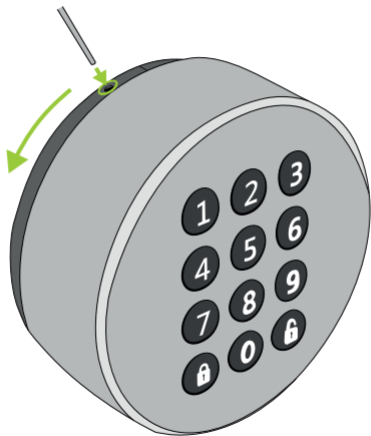
The Danapad is ready to use when it has been paired with a Danalock or Universal Module and has been set up with one or more pin codes.



Locking: Press pin code followed by lock button. Success will respond with a single green blink.

Unlocking: Press pin code followed by unlock button. Success will respond with a single green blink.






Dismounting



LED-Signals

The keypad indicates the status of several operations with different colors:



LED signal	LED color	Status indication
Long green blink		Power on. Batteries are activated
Red blink		Device operation canceled/failed
Green blink		Device operation successful
Constant orange light		Device is ready to update
Green while performing action		Device is updating

Operations

Operation	Input action	LED response
Turn on Danapad	Insert batteries	Display lights up green
Activate light only	press unlock button	Display lights up green
Clear input	Hold unlock button	Display blinks red once
Input timeout	Input clears after 10 sec with no input	Display blinks red once
Danapad lockout	5 invalid attempts causes a 2 min lockout	Display blinks red 3 times
Incorrect pin code length	The entered pin code is shorter than 4 digits or longer than 10 digits	Display blinks red once

Firmware upgrade

In the Danalock App navigate to your Danapad settings and select "Firmware" and then "Upgrade firmware". Make sure to keep your phone near the Danapad during the entire firmware upgrade process.



Simple Guidelines

Please follow these guidelines when configuring, using or recycling the PADV3-BT. Violating these guidelines may be dangerous, illegal or otherwise detrimental. Further detailed information is provided in this manual.

Terms of use

The PADV3-BT is designed for outdoor use. This equipment is designed for use with the other danalock products V3 or UMV3 locks as an access panel in order to operate the lock by entering a security code. The PADV3-BT is normally mounted outside next to the doorframe on the wall.

Do not connect incompatible products, and do not operate the PADV3-BT where wireless radio communication is prohibited. Like hospitals, buildings near blasting sites etc.

Do Not Operate Where Prohibited

Do not allow the PADV3-BT unit to operate wherever wireless radio communication use is prohibited or when doing so may cause interference or danger as the PADV3-BT cannot be turned off after installation.

Device Operation and human exposure to electromagnetic fields

The PADV3-BT unit is a low power radio transmitter and receiver. Periodically the PADV3-BT wakes up either due to activity or by a timer. When it is ON, it receives and sends out radio frequency (RF) signals for a short period of time.

Specific Human Absorption Ratio (SAR)

The PADV3-BT unit is not intended for handheld use or to be worn on the body. A minimum separation of eight (8") inches (20 cm) is to be maintained between the PADV3-BT and any persons' body when mounted on the wall.

Interference

Like all wireless devices, the PADV3-BT may encounter electrical interference that may affect its performance. The PADV3-BT is tested and certified according to international and European standards. The performance hereof ensures correct operation in the presence of electromagnetic interference and/or electrostatic discharge.

Category of use

The PADV3-BT radio interface is an accessory to other Danalock products and will only work together with these products.

Security for electrical functions

The PADV3-BT has no indications, sound alarms in case of a connected lock malfunction.

Security for electrical manipulation

The PADV3-BT is tested compliance to the EMC requirement laid out in the 2014/53/EU directive. The performance hereof ensures correct operation in the presence of electromagnetic interference and/or electrostatic discharge.

Children

The PADV3-BT series and its accessories are not used to solicit data from or market to children

EU - CE mark

The PADV3-BT complies with the essential requirements of the RED directive 2014/53/EU directive with respect to the radio spectrum, EMC, Health and safety and EU council recommendation 1999/519/EC on the limitation of exposure of the general public to electromagnetic fields when used as intended. EU Certificate and Declaration of conformity (DOC) statements can be downloaded from the homepage:

<https://danalock.com/legal/certificates/>

Product specifications

Supply Voltage	Battery	6V DC, (4x1,5V AAA Alkaline)
Temperature range	Active operating mode	-20°C to +50°C
	Storage	5°C to +50°C
Mechanical specifications	Dimensions (D x H)	Ø82 mm x 34 mm
	Weight	154 g
Material	Plastic	White ABS
Radio Interface	Bluetooth LE	Max. 2 dBm

Warranty

Danalock ApS products are covered by a limited manufacturer warranty. The Danalock ApS warranty is limited to the warranty rules and legislation present in each country. The warranty only covers manufacturing faults. The warranty does not cover misuse, wrong installation or damage due to a faulty installation or wrong maintenance.

The invoice act as the proof of warranty, so please keep it as reference for any warranty complaints.

Qualified Service

The PADV3-BT contains no user serviceable or replaceable parts. Non-functioning units must be returned to an authorized service center for repair or replacement.

Technical Assistance

If you have a problem and cannot find the information you need in the product documentation, please contact Danalock ApS at support@danalock.com. Please have the following information ready:

- 1 Serial number (preferred), MAC address or alias of the lock
- 2 Username used when registering / installing the lock
- 3 Username used when getting the error (if different username)
- 4 Time of incident

US and Canada certification marks

This device contains radio transmitters that comply with CFR 47 part 2.1091, part 15.207, Part 15.247 of the FCC rules and with RSS-GEN, RSS-102 and RSS-247 of Industry Canada requirements

Notice statements according to CFR 47 Part 15.19 / RSS-GEN:

The device complies with Part 15 of the FCC rules and with Industry Canada license exempt standard(s). Operation is subject to the following two conditions:

- 1 This device may not cause harmful interference, and
- 2 This device must accept any interference received, including interference that may cause undesired operation.

Déclarations selon le CFR 47 section 15.19 / RSS-GEN:

Le présent appareil est conforme aux CNR d'Industrie Canada applicables aux appareils radio exempts de licence. L'exploitation est autorisée aux deux conditions suivantes:

l'appareil ne doit pas produire de brouillage, et

l'utilisateur de l'appareil doit accepter tout brouillage radioélectrique subi, même si le brouillage est susceptible d'en compromettre le fonctionnement.

NOTICE statements according to CFR 47 Part 15.21:

Changes or modifications made to this equipment not expressly approved by Danalock International Aps may void the FCC authorization to operate this equipment.

Statements according to CFR 47 Part 2.1091 and RSS-102:

With respect to radiofrequency radiation exposure Information it is declared that this equipment complies with FCC radiation exposure limits set forth for an uncontrolled environment.

This equipment should be installed and operated with minimum distance of 20 cm between the radiator and your body. This transmitter must not be co-located or operating in conjunction with any other antenna or transmitter.

Déclarations selon le CFR 47 Sections 2.1091 et RSS-102:

Respectant les informations relatives à l'exposition aux radiations de fréquences radio, on déclare que cet équipement respecte les limites d'exposition aux radiations de la FCC aux conditions prévues pour un environnement non contrôlé.

Cet équipement doit être installé et fonctionner à une distance minimale de 20 cm entre l'appareil irradiant et votre corps.

Cet émetteur ne doit pas être installé ou utilisé en conjonction avec d'autres antennes ou d'autres émetteurs.

FCC part 15B note

This equipment has been tested and found to comply with the limits for a Class B digital device, pursuant to part 15 of the FCC Rules. These limits are designed to provide reasonable protection against harmful interference in a residential installation. This equipment generates, uses and can radiate radio frequency energy and, if not installed and used in accordance with the instructions, may cause harmful interference to radio communications. However, there is no guarantee that interference will not occur in a particular installation. If this equipment does cause harmful interference to radio or television reception, which can be determined by turning the equipment off and on, the user is encouraged to try to correct the interference by one or more of the following measures:

- Reorient or relocate the receiving antenna.
- Increase the separation between the equipment and receiver.
- Connect the equipment into an outlet on a circuit different from that to which the receiver is connected.

Japan

The product is approved in Japan with the certificate ID n°. **[R] 204-820259**

This device is granted pursuant to the Japanese Radio Law (電波法)

=当該機器には電波法に基づく、技術基準適合証明等を受けた特定無線設備を装着している

This device should not be modified (otherwise the granted designation number will become invalid)

本製品の改造は禁止されています。(適合証明番号などが無効となります。)

Regulatory labeling:

The PADV3-BT product are regulatory compliant to the following regulation (Europe, USA/Canada, Japan, Australia/NZ):



IP54

FCC ID: 2ADSH-PADV3BT
IC:12588A-PADV3BT



204-820259

Environmental

The PADV3-BT environmental compliance coverage:

Danapad (PADV3-BT)		
Environmental tests:	Standards	Compliance level
Temperature Soak	EN/IEC 60068-2-1, EN/IEC 60068-2-2	-25°C - +70°C, 48h
Humidity	EN/IEC 60068-2-78	+45°C, RH95%, 8h
Salt Spray	IEC 61701, EN/IEC 60068-2-52	5%, +35°C, 96h
Spray/Splash/Steam/Pressure of water*	IEC 60529+A1+A2 (CSV) (Ed2.2)	IPX4
Dust/wire*	IEC 60529+A1+A2 (CSV) (Ed2.2)	IP5X, Ø1
Drop	EN/IEC 60068-2-31	1m
UV** (UVA-340 or UVB-313)	ASTM D1014, SAE J1976 (D4587/SAE J2020) exposure (no cracking)	UV 120h@Cycle A: (60°C ± 3°C@8h UV followed by +50°C ± 3°C@4h condensation) x 10 times
Application	Outdoor (Wall mounted, wood or brick/concrete)	
* IP qualification level: IP54.		
** Accelerated weathering tests - Sunlight (UV-A/B radiation) for Static Outdoor Exposure applied.		

Danalock ApS

Gammel Stillingvej 427C
8462 Harlev, DK

+45 4242 8122
info@danalock.com

www.danalock.com